

# InnoVfoam B.V.

Water turbine operated fire monitor



## InnoVfoam B.V.

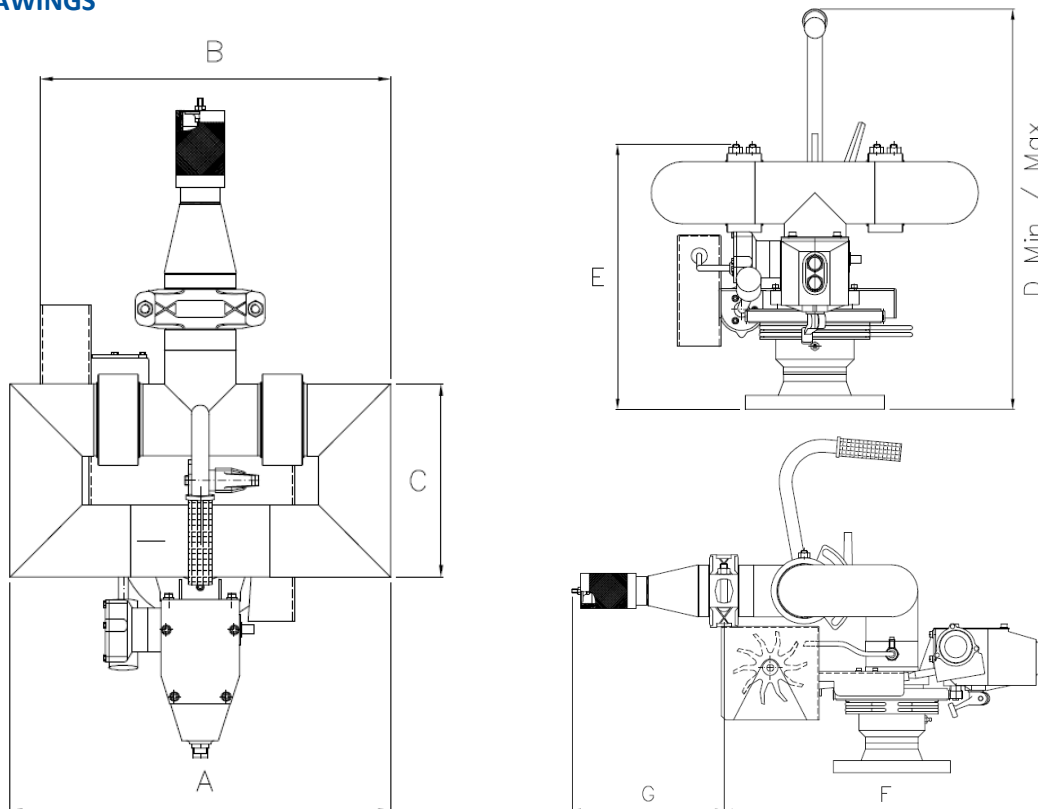
### Water turbine operated fire monitor

#### DESCRIPTION

The InnoVfoam fire monitor type FWM was developed as compact and reliable device. The manual operation (horizontally and vertically) is done by protected handles which enables safe monitor controls. The Jet/Spray nozzle can be adjusted between full jet and spray by turning the nozzle-grib. Capacity adjustment can be calibrated easily in order to get the best performance regarding throw length and Jet-pattern in relation to the available water pressure on site.

If supplied together with a Waterturbine, installed at the inlet flange of the FWM monitor, the rotation of the monitor can be done automatically on water pressure. This additional device enables safe operation in hazardous conditions without putting people into danger.

#### DRAWINGS



MODEL	CAPACITY LPM	INLET CONNECTION	OUTLET CONNECTION	A mm	B mm	C mm	D mm min/max	E mm	F mm	G mm	WEIGHT (KG.)
FWM-3	3.000	3" or 80 DIN	3" flange	470	432	240	467/606	380	560	325	24
FWM-4	5.000	4" or 100 DIN	4" flange	580	490	295	520/687	385	560	325	36
FWM-6	10.000	6" or 150 DIN	6" flange	830	750	415	530/770	468	710	380	74

## InnoVfoam B.V.

### Water turbine operated fire monitor

#### BA NOZZLE

The water turbine operated fire monitor is equipped with nozzle type BA									
BA-1	Up to 3.000	3" flange	-	-	-	-	-	-	4 kg.
BA-2	3.000 - 5.000	4" flange	-	-	-	-	-	-	5 kg.
BA-3	6.000 - 20.000	6" or 8" flange	-	-	-	-	-	-	10 kg.

#### CHARACTERISTICS FWM MONITOR

Design pressure: 16 bar

Max. working pressure: 16 bar

Test pressure: 24 bar

Rotation: 360°

Elevation: + 75° - 75°

Body material: Stainless steel

Finish: Primer and red epoxy paint (RAL 3000)

#### CHARACTERISTICS BA NOZZLE

Body material: Stainless Steel

Nozzle manually adjustable: From jet to spray

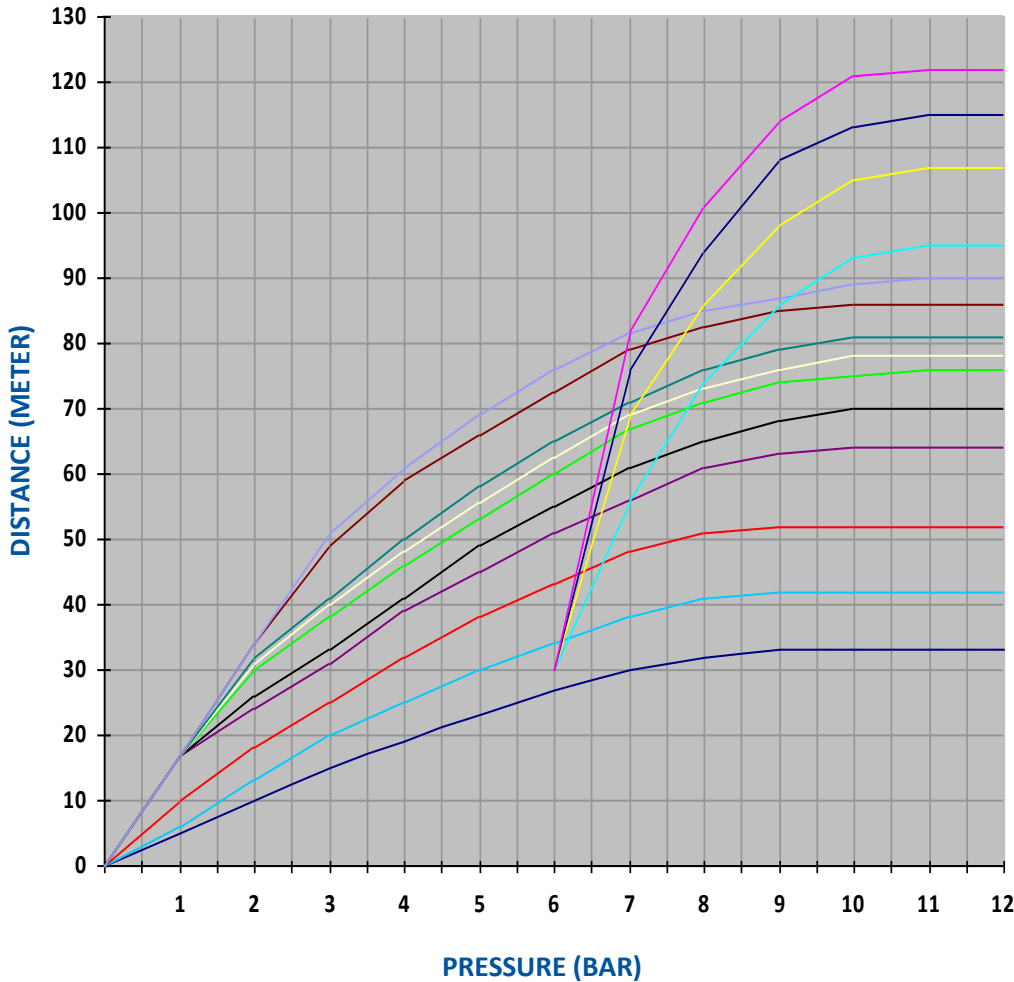
Max. Spray angle: 120°



# InnoVfoam B.V.

## Water turbine operated fire monitor

### THROW LENGTH FWM MONITOR RANGE



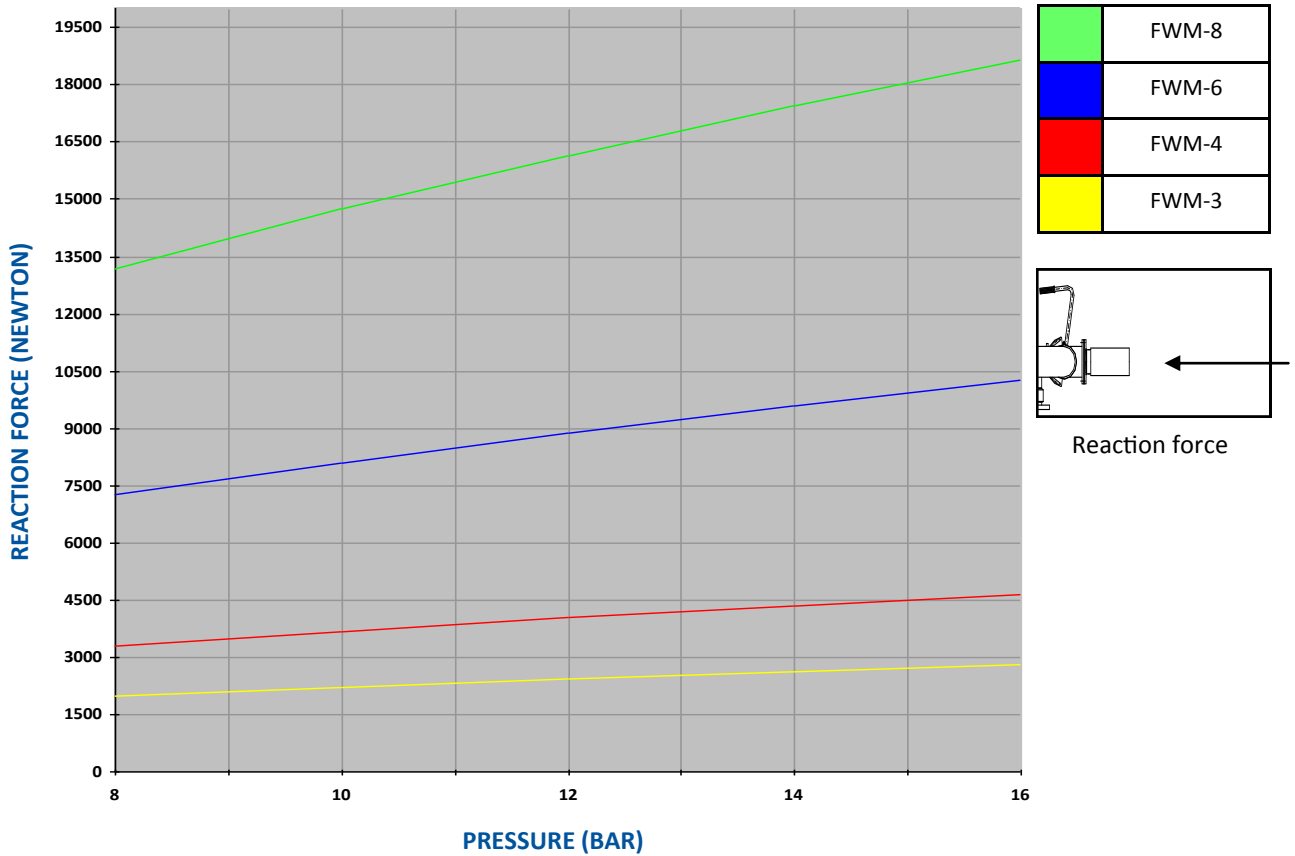
	20.000 LPM
	17.000 LPM
	15.000 LPM
	13.000 LPM
	10.000 LPM
	8.000 LPM
	6.000 LPM
	5.000 LPM
	4.000 LPM
	3.000 LPM
	2.000 LPM
	1.000 LPM
	500 LPM
	250 LPM

Note: Throw will be appr. 10% less with non aspirated foam.  
 Throw length (appr.) under windstill conditions

# InnoVfoam B.V.

## Water turbine operated fire monitor

REACTION FORCE FWM MONITOR RANGE



Jet performance with AFFF



Spray performance with AFFF



## InnoVfoam B.V.

### Water turbine operated fire monitor

#### ORDER INFORMATION

TYPE	ORDER NR.	INLET	NOZZLE TYPE	ORDER NR.
FWM-3A	300-FWM-3A	3" ANSI	BA-1	380-BA-1
FWM-3D	300-FWM-3D	80 DIN	BA-1	380-BA-1
FWM-4A	300-FWM-4A	4" ANSI	BA-2	380-BA-2
FWM-4D	300-FWM-4D	100 DIN	BA-2	380-BA-2
FWM-6A	300-FWM-6A	6" ANSI	BA-6	380-BA-6
FWM-6D	300-FWM-6D	150 DIN	BA-6	380-BA-6
FWM-8A	300-FWM-8A	8" ANSI	BA-6	380-BA-6
FWM-8D	300-FWM-8D	200 DIN	BA-6	380-BA-6

